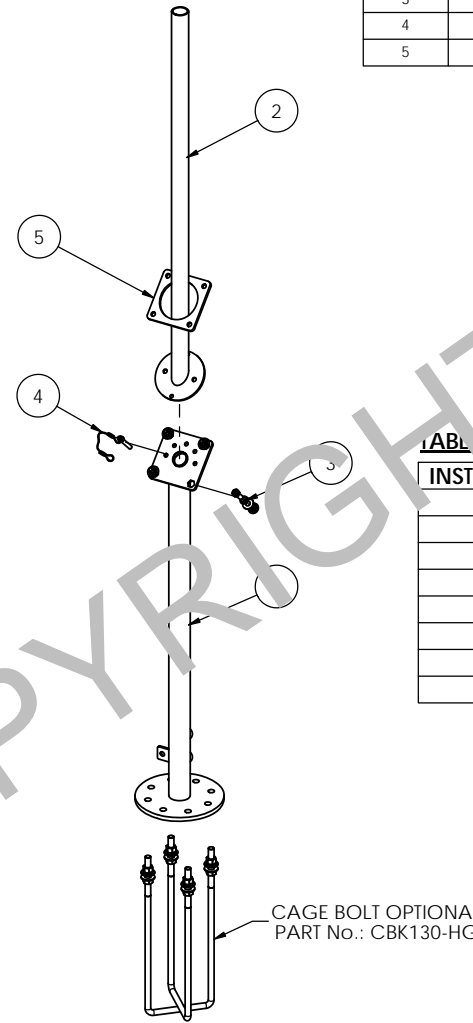
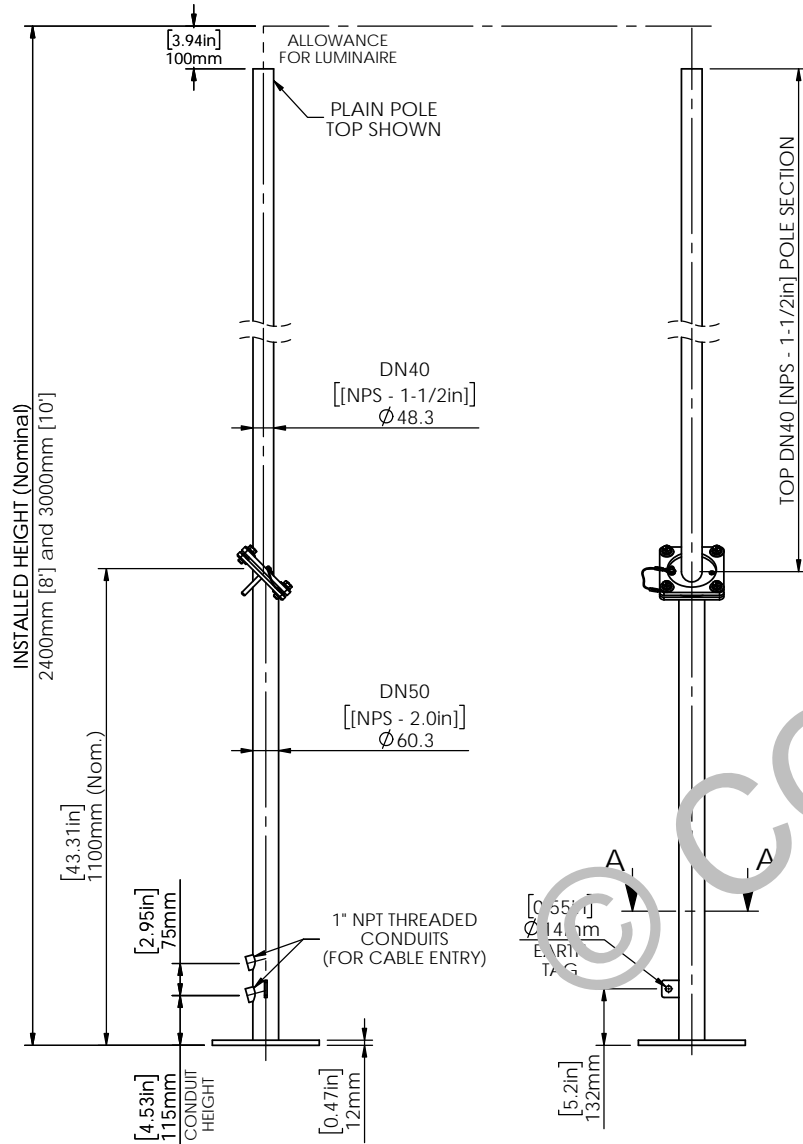


ITEM NO.	QTY.	PART NUMBER	DESCRIPTION	WEIGHT
1	1	F1-B501100-LR-HG	DN50 [NPS - 2.0in] BASE SECTION	29.7lb (13.5kg)
2	1	T40 TOP POLE (HG)	DN40 [NPS - 1-1/2in] TOP SECTION	VARIES
3	4	FSNK-001-DM	1/2in UNC FASTENER KIT	0.18lb (0.08kg)
4	1	SP10-HG	SAFETY PIN & CABLE	0.15lb (0.07kg)
5	1	CP08-150-001-HG	8mm CLAMP PLATE	0.7lb (0.3kg)



POLE TOP OPTIONS

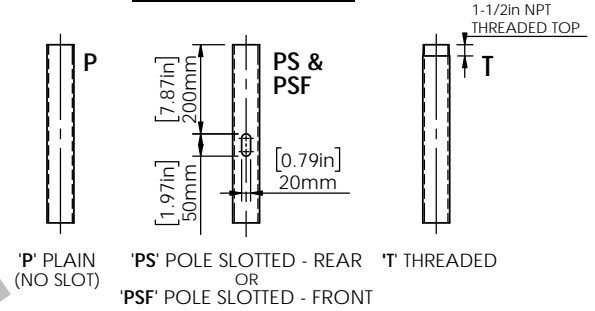
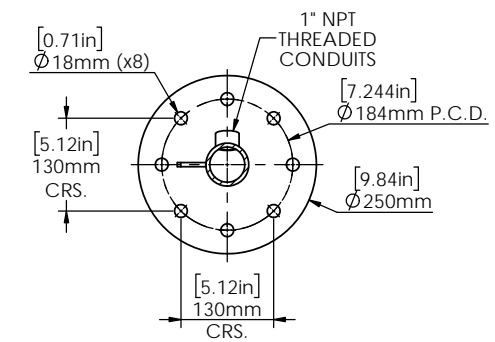


TABLE 1

INSTALLED HEIGHT	PRODUCT CODE	NEC / IEC	WEIGHT
2400 [8']	F1-2400-P-HG	NEC	44.4lb (20.2kg)
2400 [8']	F1-2400-PS-HG	IEC	44.4lb (20.2kg)
2400 [8']	F1-2400-PSF-HG	IEC	44.4lb (20.2kg)
2400 [8']	F1-2400-T-HG	NEC	44.4lb (20.2kg)
3000 [10']	F1-3000-P-HG	NEC	49.7lb (22.6kg)
3000 [10']	F1-3000-PS-HG	IEC	49.7lb (22.6kg)
3000 [10']	F1-3000-PSF-HG	IEC	49.7lb (22.6kg)
3000 [10']	F1-3000-T-HG	NEC	49.7lb (22.6kg)



**F1 - FLOOR MOUNTED POLE
TYPICAL INSTALLATION**

SECTION A-A

NEC / IEC



Scan Code with QR Reader app for more Swivelpole™ Solutions

PATENTED PRODUCTS

www.swivelpole.com

Swivelpole

This document is the property of and protected by copyright owned by Swivelpole Group Pty Ltd. The designs and other information embodied in this document comprise confidential information of Swivelpole Group Pty Ltd and form part of products covered by international patents and registered designs including US patent No 6957832. Unauthorised use, reproduction and disclosure are strictly prohibited. This document must not be removed from the premises of the licensed user of this document without Swivelpole Group Pty Ltd's prior approval.

PROJECT SWIVELPOLE	SERIES / CODE F	PART NUMBER Refer to Table 1
ALL DIMENSIONS ARE IN INCHES / MILLIMETERS		(RQ1315)
DRAWN BY AD	DATE 13-10-09	TITLE Swivelpole F1 General Assembly Client Detail
CHECKED BY FB	DATE 22-03-10	
APPROVED BY PP	DATE 31-03-10	
THIRD ANGLE PROJECTION	SCALE 1:12.5	DRG No C-NA-F1-001-HG
		REV 3
		A3